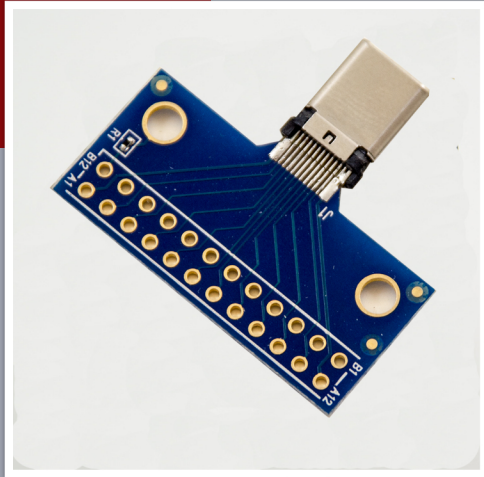


USB Type C Male Plug Breakout board

BRK-USB-CP

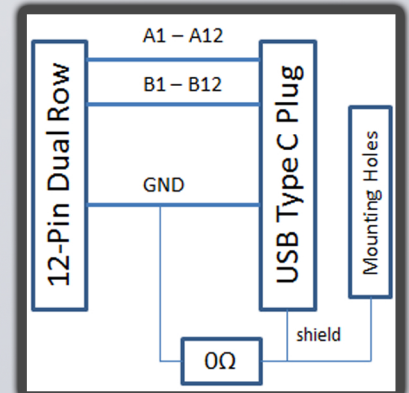


The BRK-USB-CP is a breakout board designed for adding a USB Type C male plug connector to any prototyping or DIY project.

A standard 0.1" pitch, 12-pin, dual row header can be soldered to J2, allowing developers access to the USB signals.

The breakout board also features a grounded shield which makes it suitable for applications subject to high frequency noise. Grounded mounting holes allow the board to be mounted and secured easily.

A1	A2	A3	A4	A5	A6	A7	A8	A9	A10	A11	A12
GND	TX1+	TX1-	Vbus	CC1	D+	D-	SBU1	Vbus	RX2-	RX2+	GND
GND	RX1+	RX1-	Vbus	SBU2	D-	D+	CC2	Vbus	TX2-	TX2+	GND
B12	B11	B10	B9	B8	B7	B6	B5	B4	B3	B2	B1



External Connectors:

USB Type C Plug J1
 0.1" Connector (Not Populated)..... J2

Ordering Information

BRK-USB-CP USB Type C Plug Breakout
BRK-USB-CP-R Product in retail packaging with UPC/EAN barcode

Connector Type:
 USB Type C Male Plug

Mounting Holes:
 4-40 Plated through and grounded

Features:
 Grounded Shield

Material:
 FR-4, gold plated

PCB Thickness:
 0.062" (1.57mm)

Form Factor:
 1.30" x 0.60"
 (33.02mm x 15.24mm)

Operating Temp:
 -20°C to +60°C

Operating Humidity:
 5% to 95% non-condensing

Storage Temp:
 -40°C to +70°C